

Super 18 Slush Machine



Features

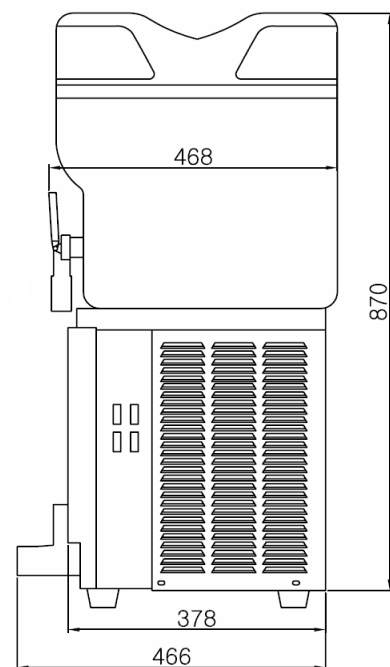
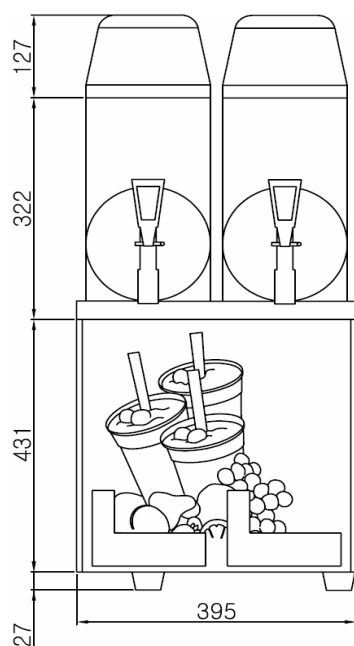
- Twin tank, countertop.
- Makes slush or frozen cocktails.
- Can be used to serve chilled juices, smoothies or milkshakes.
- Illuminated tank tops for added attraction.

Capacities

- Two 12 litre (3.17 gallon) capacity tanks.
- Maximum slush capacity is 9 litres per tank.

Functions

- Separate controls for each tank.
- Chill or freeze modes selectable for each tank.
- Adjustable control for product consistency.
- Easy clean air filter.



Dimensions (WxDxH)	395mm x 468mm x 897mm	Weight	51 kgs
Max Tank Capacity	12 litre (3.17 gallon) x 2	Max Mix Capacity	9 litre (2.38 gallon) x 2
Initial Time To Freeze	30-40 minutes		
Max Power	1,020 Watt	Gear Motor	2 x 67 Watt
Voltage	220-240V/50Hz/1PH		
Refrigeration System	H.P. 0.85	Refrigerant	R404A

Product exterior and specifications can be modified without prior notice. Production time may vary depending on ambient temperature, mix temperature and humidity. Smoothie machine design is for illustration only.

Malibu
CORPORATION LTD.

Malibu Corporation Limited
8/9 Harp Road, Trafford Park, Manchester. M17 1SR
Tel: 0161 874 5400 Fax: 0161 872 3296

sales@malibu-corporation.com
www.malibucorporation.co.uk