



Main Features

- ✓ Single flavour easy dispensing head.
- ✓ Can serve frozen yogurt or soft ice cream..
- ✓ Compact design.
- ✓ High Output – up to 300 portions per hour (30kg/hr)
- ✓ Self closing handle eliminates waste and mess.
- ✓ Suitable for self service.

Easy Cleaning

- ✓ Only needs cleaning twice a week..
- ✓ Gravity machine means less parts to clean...
- ✓ Wash cycle for faster cleaning.
- ✓ Standby mode keeps mix refrigerated when not in use.
- ✓ Stainless steel cabinet as standard for easier cleaning and for durability.
- ✓ Removable air filter ensures optimum performance.

Simple User Control

- ✓ Voice function for prompts.
- ✓ Simple touch sensitive controls.
- ✓ Digital display and lockable control panel.
- ✓ Mix low level and mix “out” visual and audible warning.
- ✓ Monitor hopper and cylinder temperatures.
- ✓ Adjustable product consistency from front panel.
- ✓ Adjustable dispensing speed control.

Range of Accessories Available

- ✓ Available as Fling version for added appeal
- ✓ Other liveries available to enhance the look

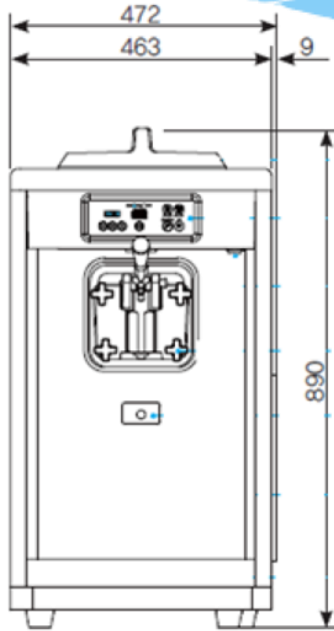


The CT300G soft ice cream machine is one of the highest output countertop machines on the market. Ideal for milkshake bars, busy cafes or pubs. with it's high output it is our most popular entry level model for milkshakes or desserts.

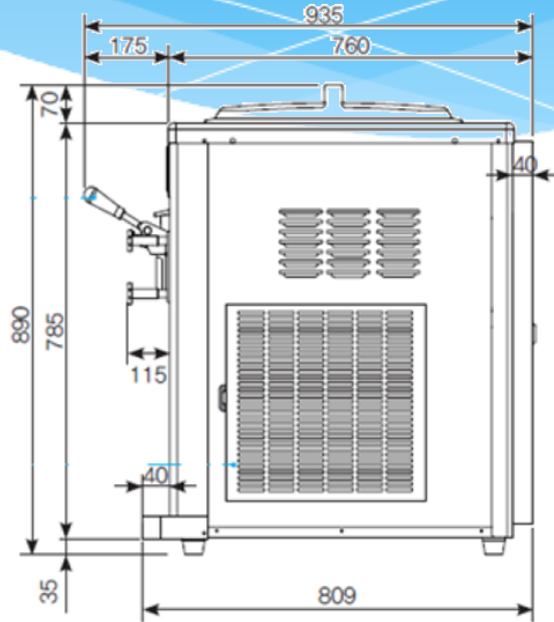
Malibu CT300G

Countertop High Output

Soft Ice Cream Machine



Front Side View



Left Side View

Characteristics and Performance

Flavours	1
Countertop / Floor Standing	Countertop
Pump / Gravity	Gravity
Self Pasteurising	No
Percentage Overrun- Variable	Up to 40%
Output: kg / hour	30
Cones / minute	5
Consecutive Cones*	20

Suitability and Options

Suitable for Frozen Yogurt	Yes
Suitable for Self Serve	Yes
Available as Fling Model	Yes
Decals / Stickers Available	Yes
Stand Available	Yes
Starter Pack Available	Yes
Service Pack Available	Yes
Electrical Supply Type	13 Amp 3 Pin

Functions

Hardness Control	Yes
Hopper Temperature control	Yes
Low Level Mix Warning	Yes
Digital Display	Yes
Display Menu Voice Guidance	Yes
Overnight Standby Mode	Yes
Advanced Menu	No
Menu Lock	Yes
Wash Function	Yes

Specification and Electrical

Hopper Capacity (litres)	19.5
Cylinder Capacity (Litres)	3.2
Electrical Supply Phases	Single
Volts	240
Operating Power (Kw)	2.05
Invertor	No
Cooling	Air
No. Compressors	1 Cylinder + 1 Hopper
Weight (kg)	134
Dimensions W x D x H (mm)	472 x 935 x 890

Warranty on New Machines: 3 Years On Compressor & Condensor, 2 Years On Other Non-wear Parts, 1 Year Labour